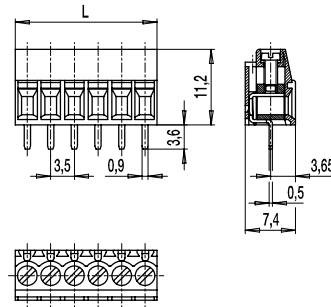


210-A-111

PCB connector
Screw connection



GENERAL INFORMATION

Pitch	3,5 mm
No. of poles	2 - 24
Areas of application	For all applications requiring low profile but large terminal space of 1,7 x 2,6 mm.

TECHNICAL DATA

Clamping Range	<i>solid / stranded / AWG</i> 0,14 - 1,5 mm ² / 0,14 - 1,5 mm ² / 30 - 16 AWG		
Rated Cross Section	1 mm ²		
Wire Stripping Length	5,5 mm ± 0,5 mm		
Overvoltage Category	III	III	II
Pollution Severity Level	3	2	2
Rated Voltage	160 V	160 V	320 V
Rated Impulse Voltage	2,5 kV	2,5 kV	2,5 kV
Rated Insulation Voltage	130 V acc. to EN 60998-1		
Rated Current	12,5 A		
Hole in PCB	ø 1,2 mm		
Torque	0,2 Nm		

APPROVALS

	Current [A]	Voltage [V]	Group	AWG	[Nm]
	10	300	B	30 - 16	0,23
	10	300	B	30 - 16	0,22

CONFIGURATIONS

Poles	Part number	Article number	Length (L)	Packaging	PU
2	210-A-111/02	10.804.002	7,00 mm	Box	250
3	210-A-111/03	10.804.003	10,50 mm	Box	250
4	210-A-111/04	10.804.004	14,00 mm	Box	250
5	210-A-111/05	10.804.005	17,50 mm	Box	200
6	210-A-111/06	10.804.006	21,00 mm	Box	200

further number of poles on request

MATERIAL

Moulding	PA, grey, V-0
Comparative Tracking Index	CTI 400
Insulating Group	II
Temperature Range	-40°C up to 100°C
Terminal body	Nickel plated brass
Pressure clamp	Copper alloy, tin plated
Screw	M2; copper alloy, tin plated
Solder pin	Copper alloy, tin plated

OPTIONS / ACCESSORIES

- Consecutive numbering
- Special marking according to drawing
- Self-adhesive marking strip BST-3,50
- Version with anti-twist-peg

